

ESTHW50x



Environmental Sensor, Temperature and Humidity Transmitter, Wall type



Main features

- Wall mounting
- 0-10 V or 4-20 mA output
- 0 to 50°C temperature and 0 to 95% humidity measuring range
- Simple installation
- Compact housing

Applications

- Monitoring for HVAC process / air conditioning / environmental ventilation control
- Air conditioning monitoring for building / hospital
- Humidity monitoring for house / hotel environment

Description

Simple transmitter for temperature and humidity.
Comes with 2 analog outputs.
Compact and easy to install.



References

Product selection key



ESTHW50

Enter the code entering the corresponding option instead of

| Code | Option | Description |
|--------------------------|--------|-------------------|
| ESTH | - | Model |
| W | - | Wall mounting |
| 50 | - | Temperature range |
| <input type="checkbox"/> | V | Output: 0...10 V |
| | A | Output: 4...20 mA |

Type selection

| Mounting | Temperature range | Output | Power supply | Code |
|----------|-------------------|-----------|--------------------------------|-----------------|
| Wall | 0°... +50°C | 0...10 V | 15...35 VDC and 19...29 VAC | ESTHW50V |
| Wall | 0°... +50°C | 4...20 mA | 11...35 VDC | ESTHW50A |



Features

Power Supply

| | | |
|---------------------|-------------------|-----------------------------|
| Power supply | 2-wire | 11...35 VDC |
| | Signal connection | 15...35 VDC and 19...29 VAC |
| Current consumption | 2-wire | < 40 mA |
| | Signal connection | DC < 15 mA, AC < 40 mA |

Outputs

| | |
|------------|----------------------|
| 2 x Output | 4...20 mA / 0...10 V |
|------------|----------------------|

Environmental

| | | |
|-----------------------|---|-----------|
| Ambient temperature | 0°... +50°C (32°... +122°F) | Operating |
| | -5° ... +60°C (23° ... +140°F) | Storage |
| Degree of protection | IP20 | |
| Electrical protection | Polarity protection, over voltage and short circuit | |

Measuring Values

| | | |
|---------------------------------------|--|--|
| Sensor type | Capacitive humidity sensor & PT 100 Ω | |
| Media measured | Air | |
| Measuring range | Temperature (T) | 0...50°C (32 -122°F) |
| | Humidity (H) | 0...95% RH |
| Signal connection | 2-wire / 3-wire | |
| Accuracy (@ +25°C) | Temperature | $\pm 0.3^{\circ}\text{C} + 0.002^{\circ}\text{C} \times t \text{ actual}$ |
| | Humidity | $\pm 3\% \text{ RH (30...70\% of F.S.)}$ $\pm 5\% \text{ RH (20...80\%)}$ |
| | Temperature influence | 0.2% RH/°C |
| Response times (t90) (@ +25°C) | < 20 s | |
| Load resistance | 2-wire | $RL < (+V-10) / 0.02 < 500 \Omega$ |
| | 3-wire | > 10 K Ω |

Mechanics/electronics

Connection

| | |
|-----------------------|----------------|
| Electrical connection | Screw terminal |
|-----------------------|----------------|

Wiring

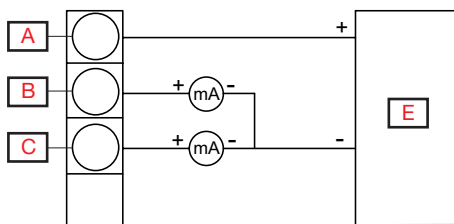


Fig. 1 2-wire

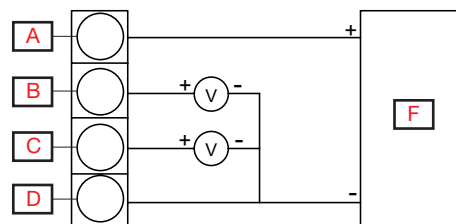
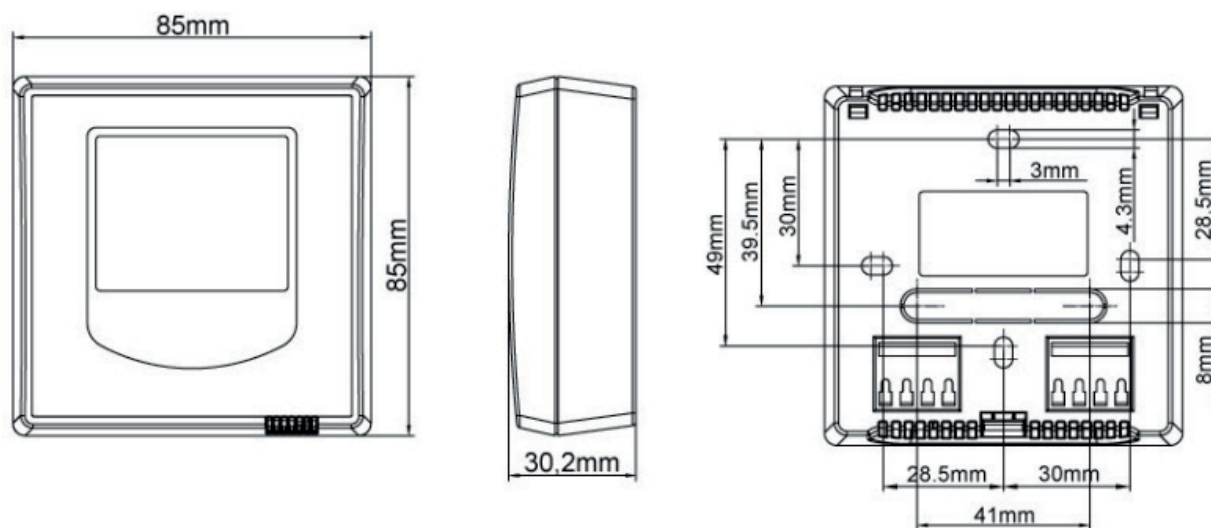


Fig. 2 3-wire

| | | | |
|---|-------------|---|----------------------------|
| A | +V | D | GND |
| B | Humidity | E | 11...35 VDC |
| C | Temperature | F | 15...35 VDC or 19...29 VAC |

Housing

| | |
|--------------|------------------------------|
| Housing | PC fire-proof class (PC-110) |
| Installation | Wall mounting |
| Weight | 60 g |

Dimensions**Compatibility and conformity****Approvals and markings**

CE-marking





Delivery contents and accessories

▶ Delivery contents

Environmental sensor: ESTHW50x

COPYRIGHT ©2016
Content subject to change.